

# CITY OF EVANS

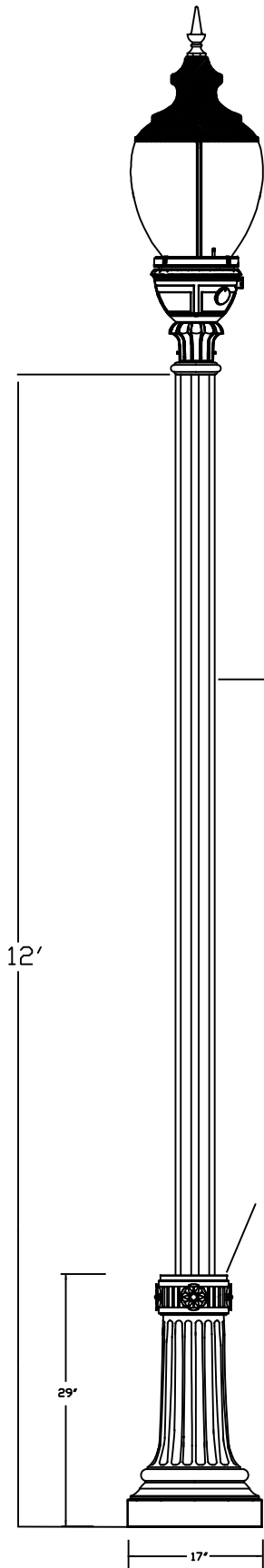
## Residential Standard

### XCEL PRODUCT CODES:

POLE: #211046

BASE: #211048

FIXTURE: #1001845



POLE BY MOUNTAIN STATES  
 12' STRAIGHT EXTRUDED ALUMINUM 5" O.D.  
 PAINTED BLACK WITH FIRST 16'  
 OF POLE & BASE PLATE TO BE  
 ZINC COATED.  
 MIN EPA DF 20 IN 80 MPH ZONE(1.3 GUST FACTOR)

HIGH DENSITY ELASTOMER  
 BY MOUNTAIN STATES LIGHTING

12'

29"

17"

GROUT  
 AS NEEDED

#### REVISIONS:

**MOUNTAIN STATES LIGHTING**

P.O. Box 449  
 Conifer, CO 80433  
 Phone 303-838-4430  
 Fax 303-838-4439

#### JOB NAME:

*EVANS, CO PEDESTRIAN POLE COMPOSITE*

#### SCALE:

*NTS*

#### DATE:

*12/04/19*

#### DRAWN BY:

*GAJ*

#### DRAWING NUMBER:

*EVNS-5-13-MAD*

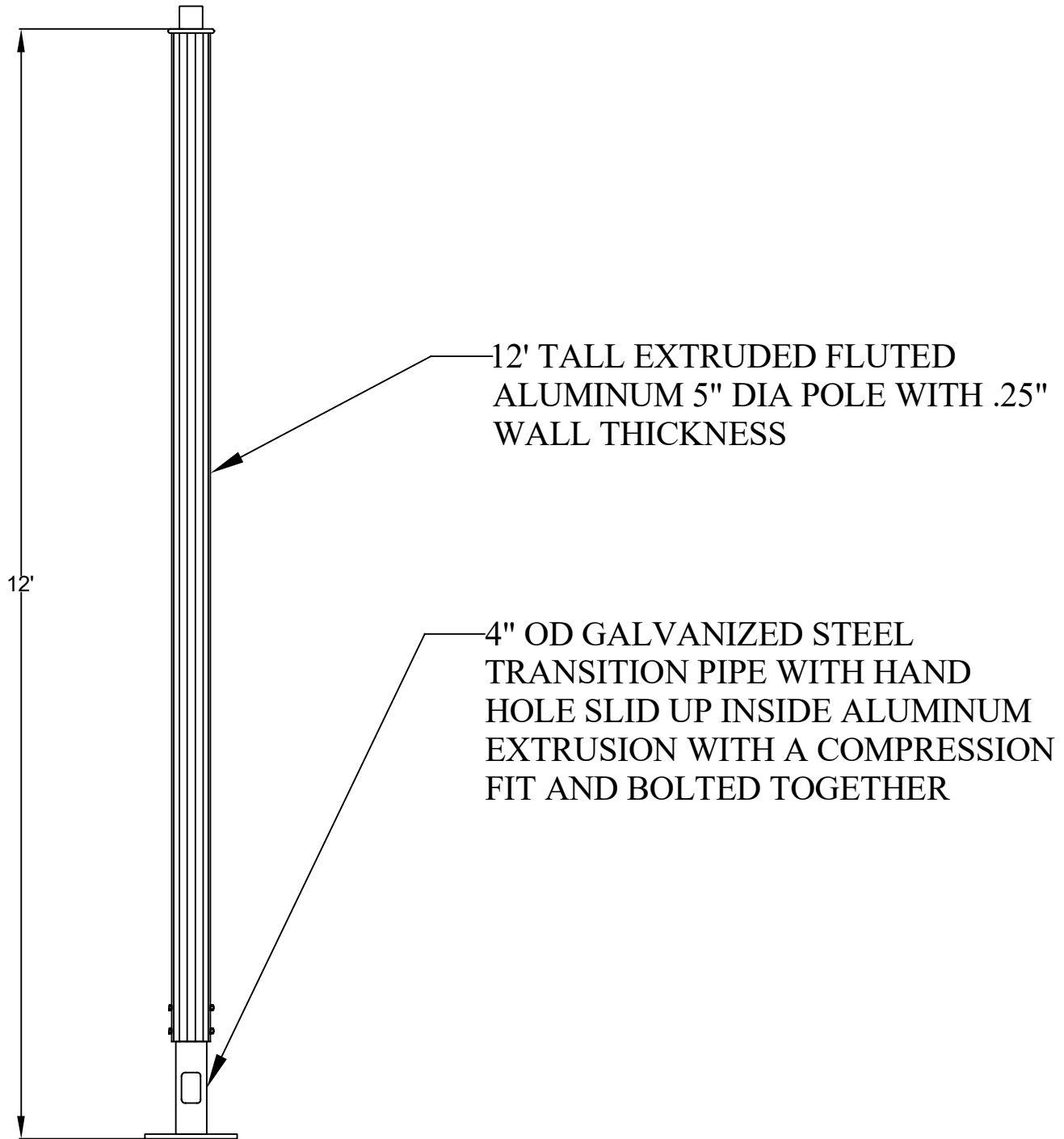
#### REP:

*Mountain States*

#### QUOTE #:

#### DIST.:

MOUNTAIN STATES LIGHTING P/N 12EFA5  
 CATALOG ID NUMBER: 211046  
 5 IN DIA POLE

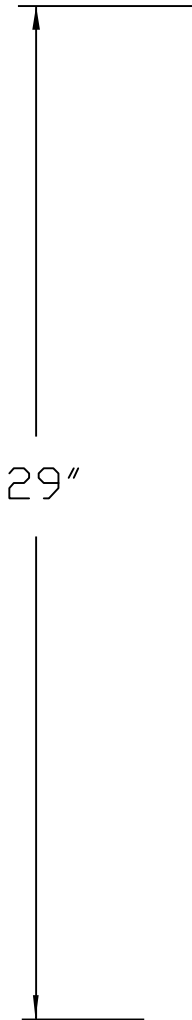


DECORATIVE LIGHTING STANDARDS  
 BY MOUNTAIN STATES LIGHTING

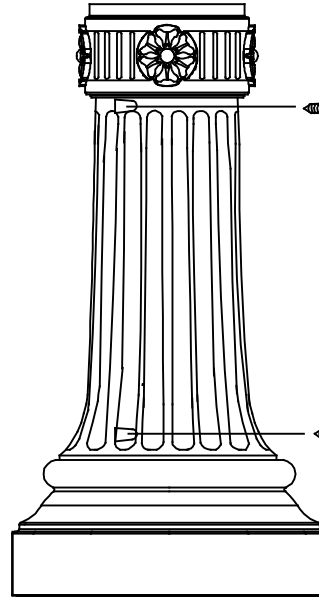
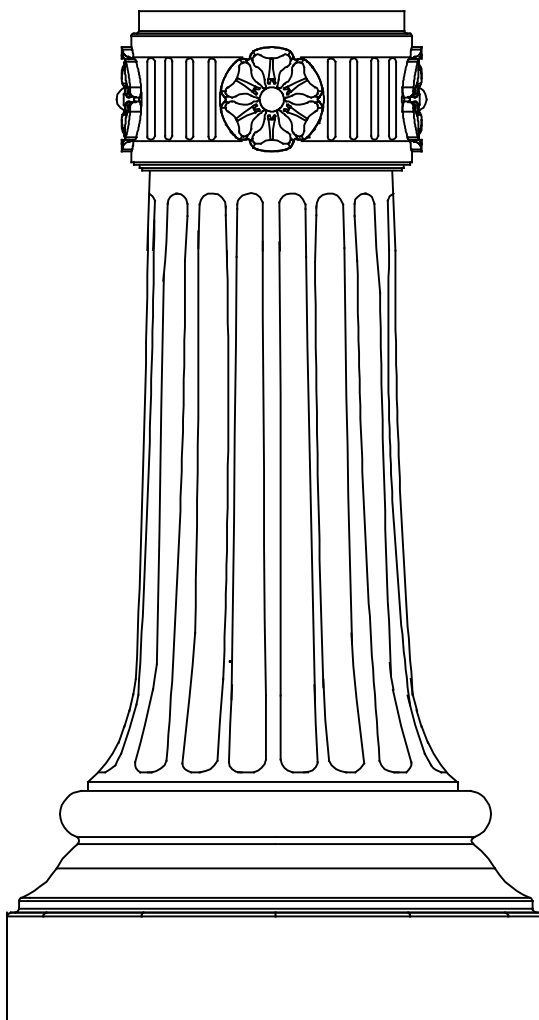
REVISIONS: N/A			
<b>MOUNTAIN STATES LIGHTING</b>		P.O. Box 449 Conifer, CO 80433 Phone 303-838-4430 Fax 303-838-4439	
JOB NAME: EVANS, CO 12' PEDESTRIAN POLE			
SCALE: NTS	DATE: 12/04/19	DRAWN BY: GAJ	DRAWING NUMBER: 12EFA5-LBD
REP: Mountain States Lighting		QUOTE #:	DIST.:

XCEL PRODUCT CODE #: 211048

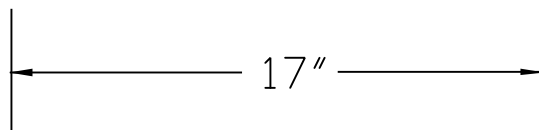
SPECIFY DIAMETER  
OPENING FOR POLE  
MAXIMUM 6" ROUND.



29"



TWO-PIECE  
HELD TOGETHER  
W/ 2 FASTENERS  
PER SIDE.  
BASE SPLITS ON  
THE DIAGONAL



17"

**MADISON STYLE 17"**  
**MOUNTAIN STATES LIGHTING**  
**HIGH DENSITY ELASTOMER TWO-PIECE**  
**WRAPAROUND DECORATIVE BASE**

BASE BY MOUNTAIN STATES  
PART# MAD-17"W x 29"H-HDEB-XX  
HIGH DENSITY ELASTOMER DECORATIVE  
BASE, DENSITY OF 71LBS PER CUBIC  
FOOT. PAINTED (SPECIFY COLOR) WITH A  
MODIFIED URETHANE BEDLINER COATING  
(STAYS FLEXIBLE OVER TIME W/MAX ADHESION)  
BASE TO BE AN AVERAGE OF 5/8" THICK

REVISIONS:			
MOUNTAIN STATES LIGHTING		P.O. Box 449 Conifer, CO 80433 Phone 303-838-4430 Fax 303-838-4439	
JOB NAME: MOUNTAIN STATES LIGHTING MADISON BASE			
SCALE: NTS	DATE: 12-04-19	DRAWN BY: GAJ	DRAWING NUMBER: MAD-17' X 29'- HDEB
REP: Mountain States		QUOTE #:	DIST.:

OPTIONS

TERMINAL BLOCK   
 EAGLE CONNECTOR:  
 B-03 TERMINAL BLOCK

NOTE:

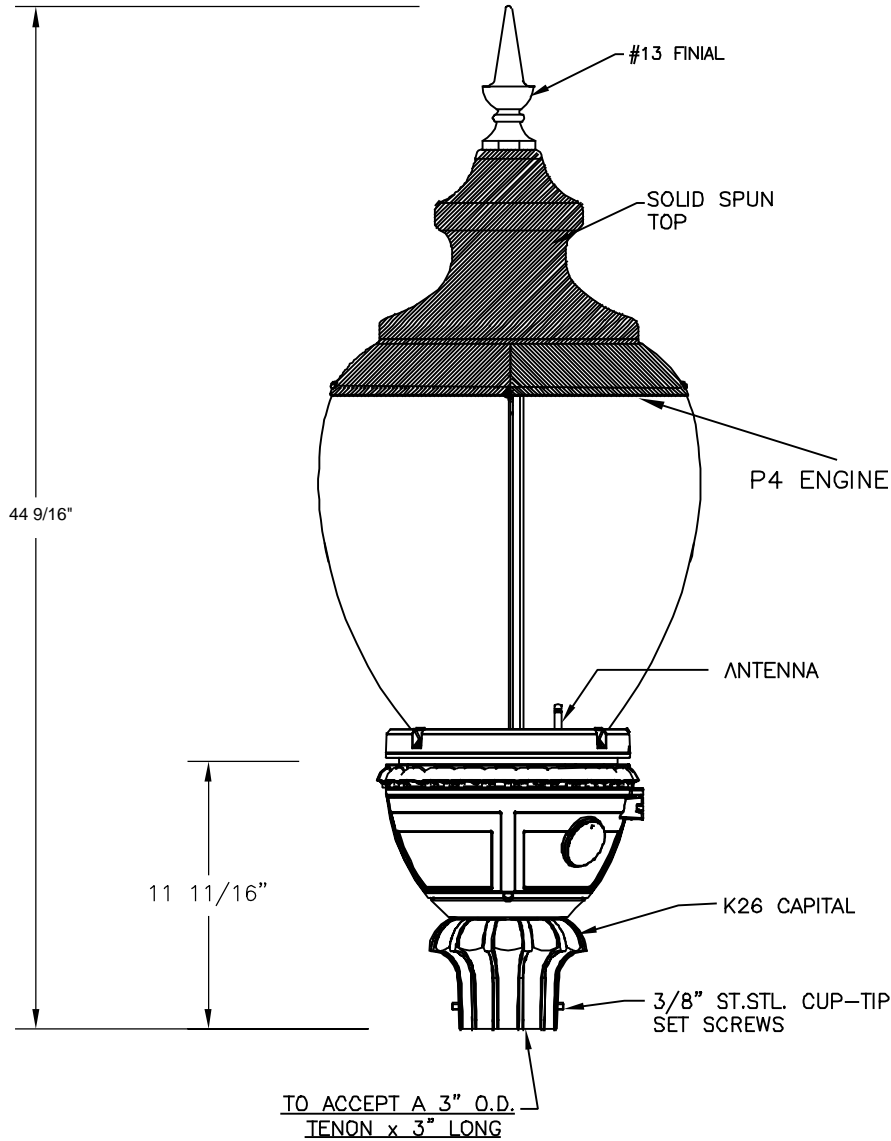
TERMINAL BLOCK TO BE LABELED L1-G-N/L2  
 SUPPLY JUMPER FROM NEUTRAL TO GROUND WITH  
 LABEL TO REMOVE JUMPER WHEN USING PHASE TO  
 PHASE CONNECTION

LUMINAIRE SPECIFICATIONS

CATALOGUE NO.:

1001845

QUANTITY:  
 OPTICAL SYSTEM: FLAT ARRAY ACRYLIC RIPPLED  
 TYPE III  
 IES CLASS.:.  
 WATTAGE: 60W  
 SOLID STATE LIGHTING  
 INPUT VOLTAGE: 120:277V  
 CCT: 3000K  
 POLE ADAPTOR: K26  
 PAINT: Black  
 OPTIONS: C/W #13 FINIAL, SOLID SPUN TOP  
 & TWISTLOCK RECEPTACLE  
 (PHOTO-EYE BY OTHERS)  
 ANTENNA & TWO FEET OF COAXIAL  
 CABLE



REVISIONS:

MOUNTAIN STATES LIGHTING

P.O. Box 449  
 Conifer, CO 80433  
 Phone 303-838-4430  
 Fax 303-838-4439

JOB NAME:

Evans, CO - K118 Ped Pole Fixture 60W LED

SCALE:

NTS

DATE:

12-4-19

DRAWN BY:

DLH

DRAWING NUMBER:

EVANS-RES

REP:

Mountain States

QUOTE #:

DIST.: